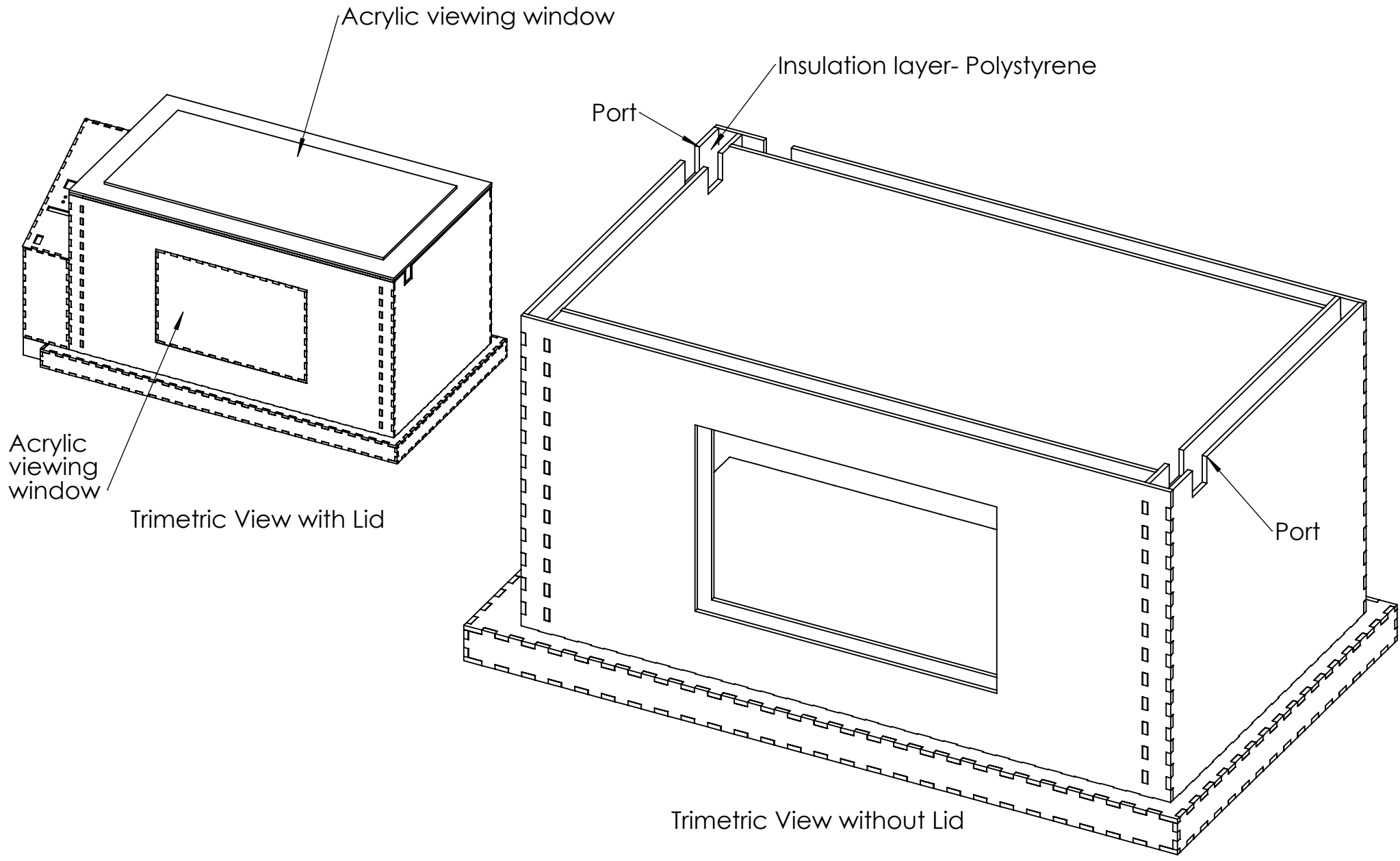
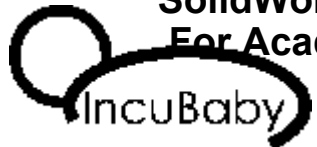


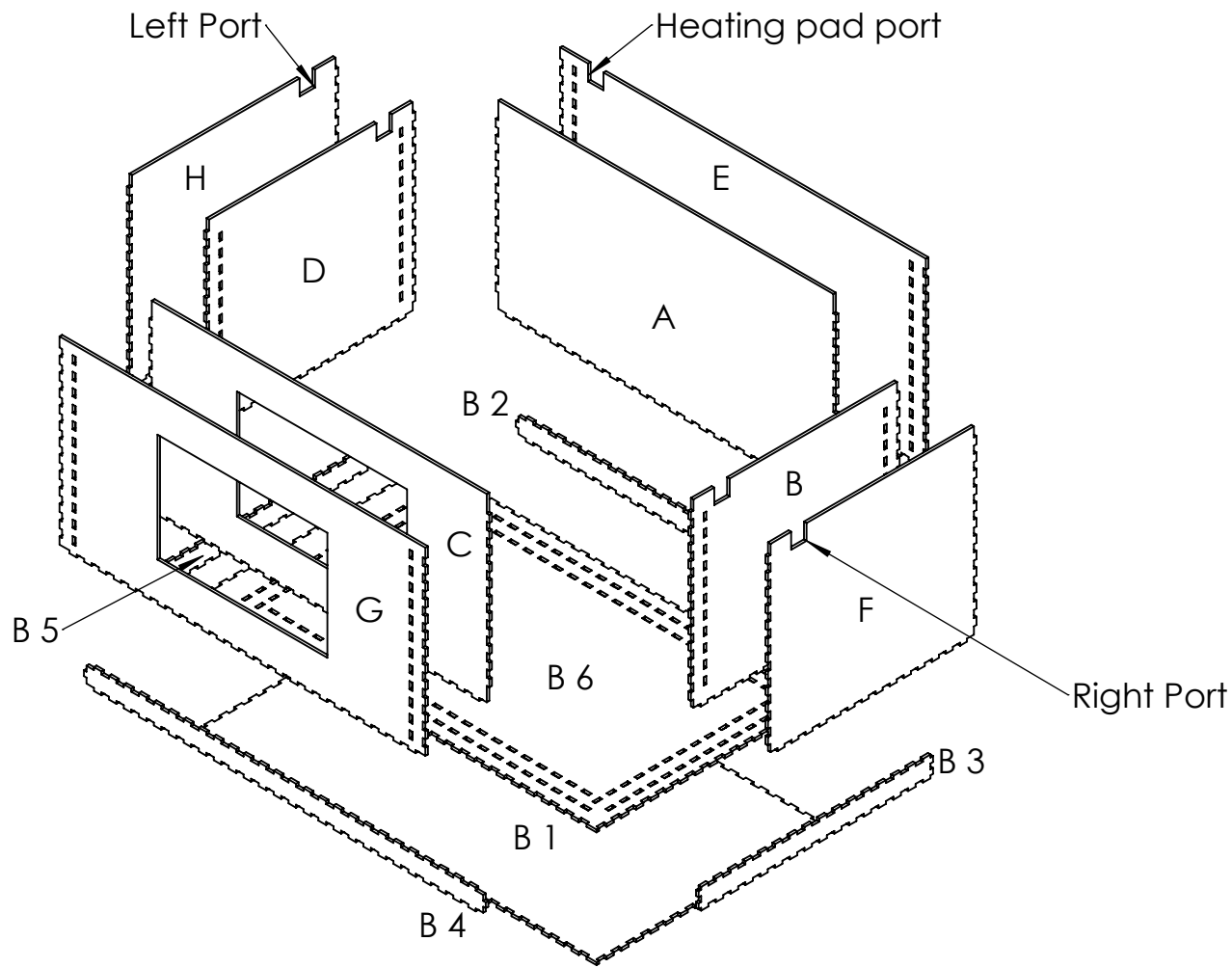
Team IncuBaby
Mechanical Engineering Drawings
Cycle 5
Updated:5/2/2015



SolidWorks Student Edition.
For Academic Use Only.



	SolidWorks Student Edition. For Academic Use Only. The Housing- Overview		Description: Trimetric views of the housing to show double-walled concept.	Materials: 1/4" Acrylic 1/4" Birch Plywood
	Cycle: 5	Date: 5/2/2015	Drafter: Amanda Boone	Units: cm



SolidWorks Student Edition.
For Academic Use Only.
Housing- Exploded View

B1

Description:

Exploded view of housing with part labels

Materials:

1/4" Acrylic
 1/4" Birch Plywood

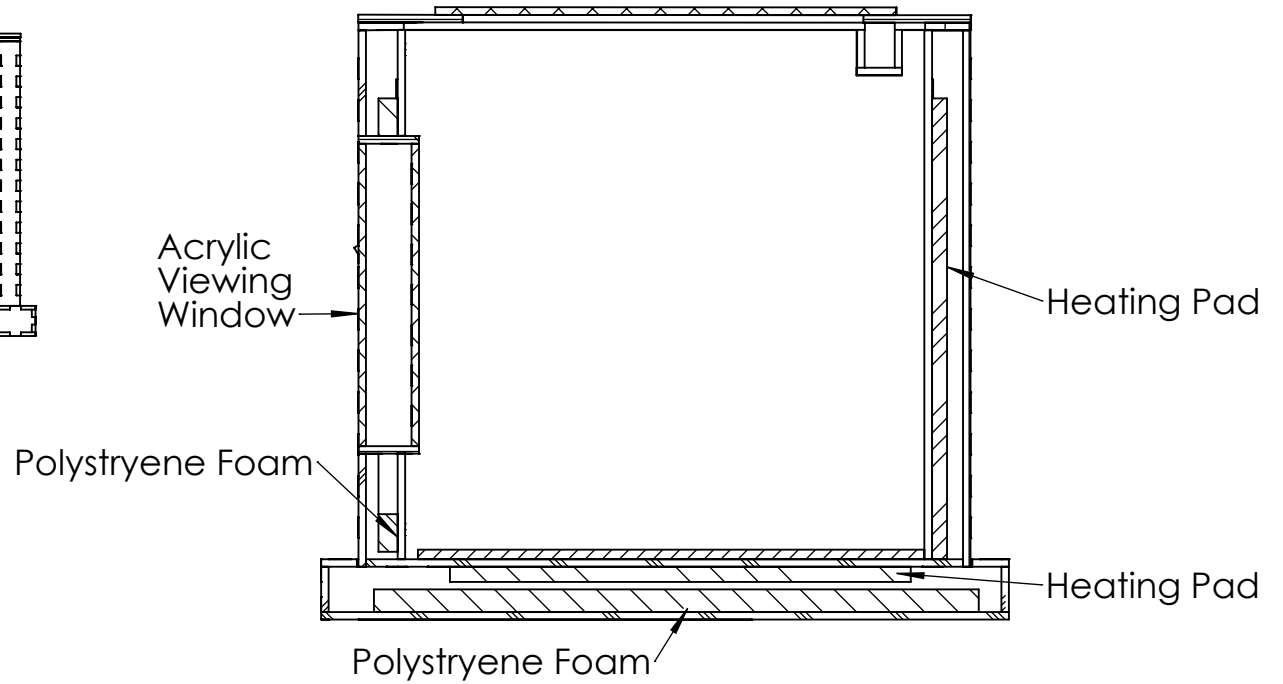
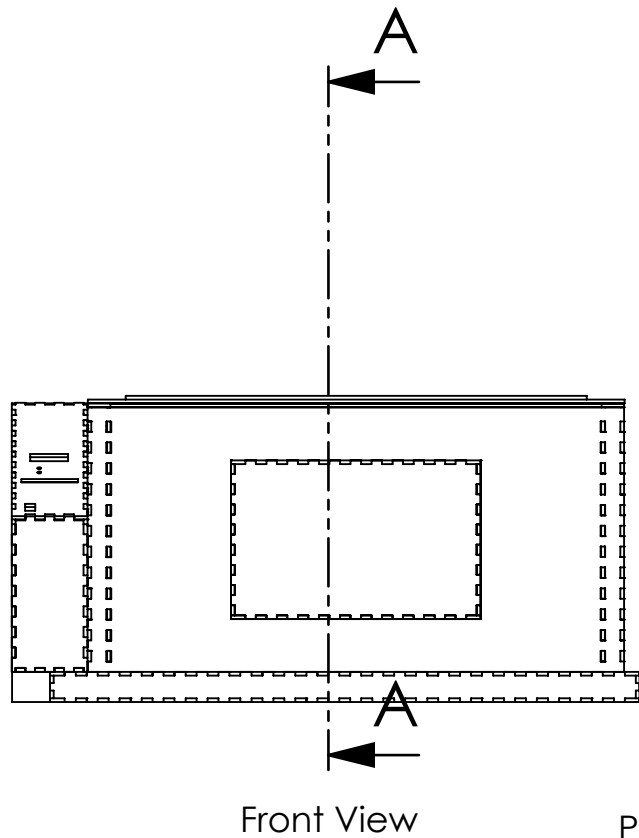
Cycle: 5

Date: 5/2/15

Drafter: Amanda Boone

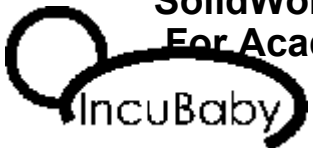
Units: cm

Page 2 of 12



SECTION A-A
SCALE 1 : 5

SolidWorks Student Edition.
For Academic Use Only.
The Housing - Section View



Cycle: 5

Date: 5/2/15

Description:

Section view of housing to show layers of insulation and heating.

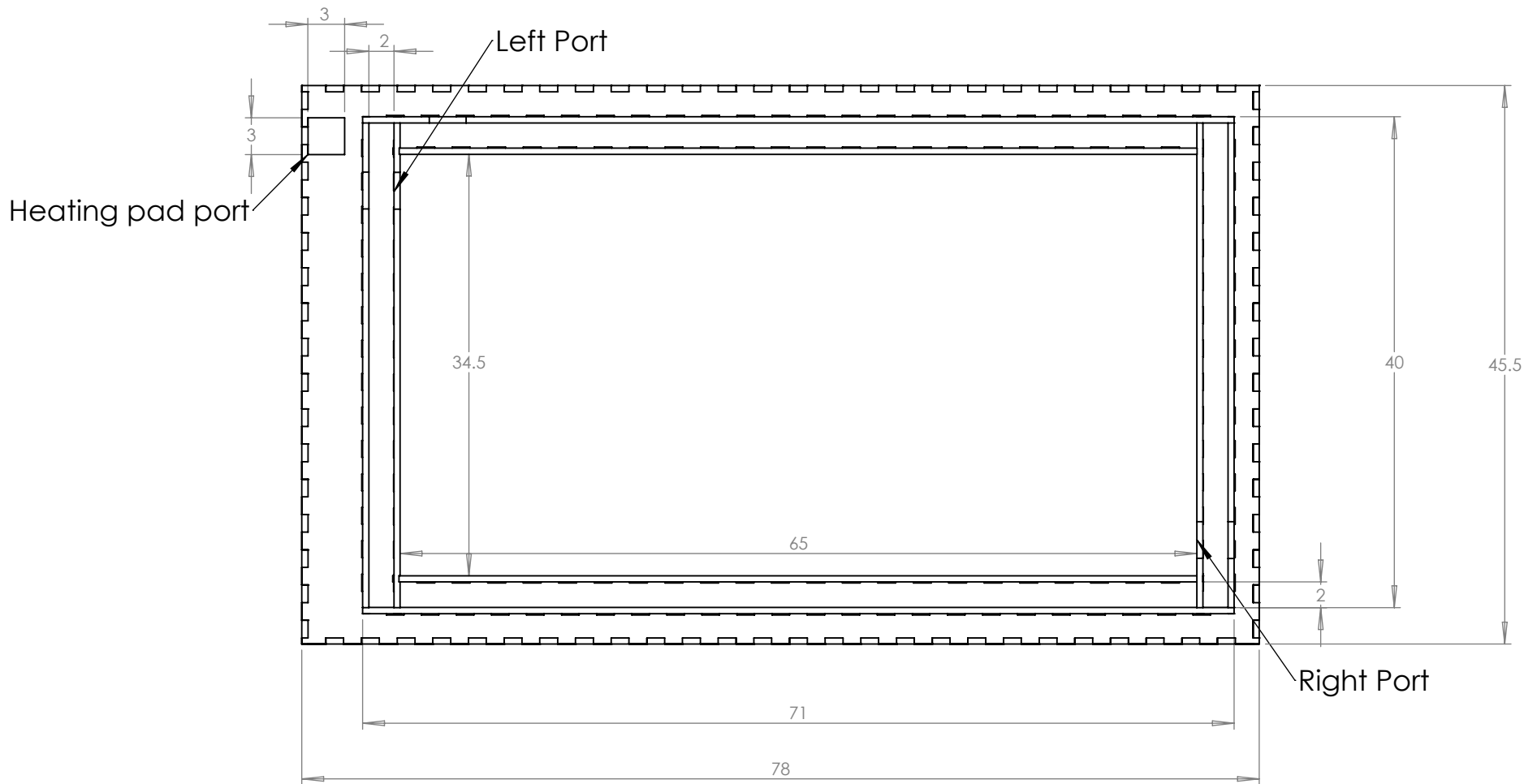
Materials:

1/4" Acrylic
1/4" Birch Plywood

Drafter: Amanda Boone

Units: cm

Page 3 of 12



SolidWorks Student Edition.

For Academic Use Only

Housing - Top View

Description:

Top view of housing with dimensions.

Materials:

- 1/4" Acrylic
- 1/4" Birch Plywood

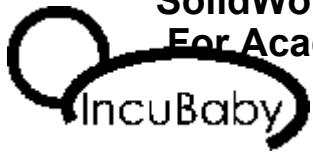
Cycle: 5

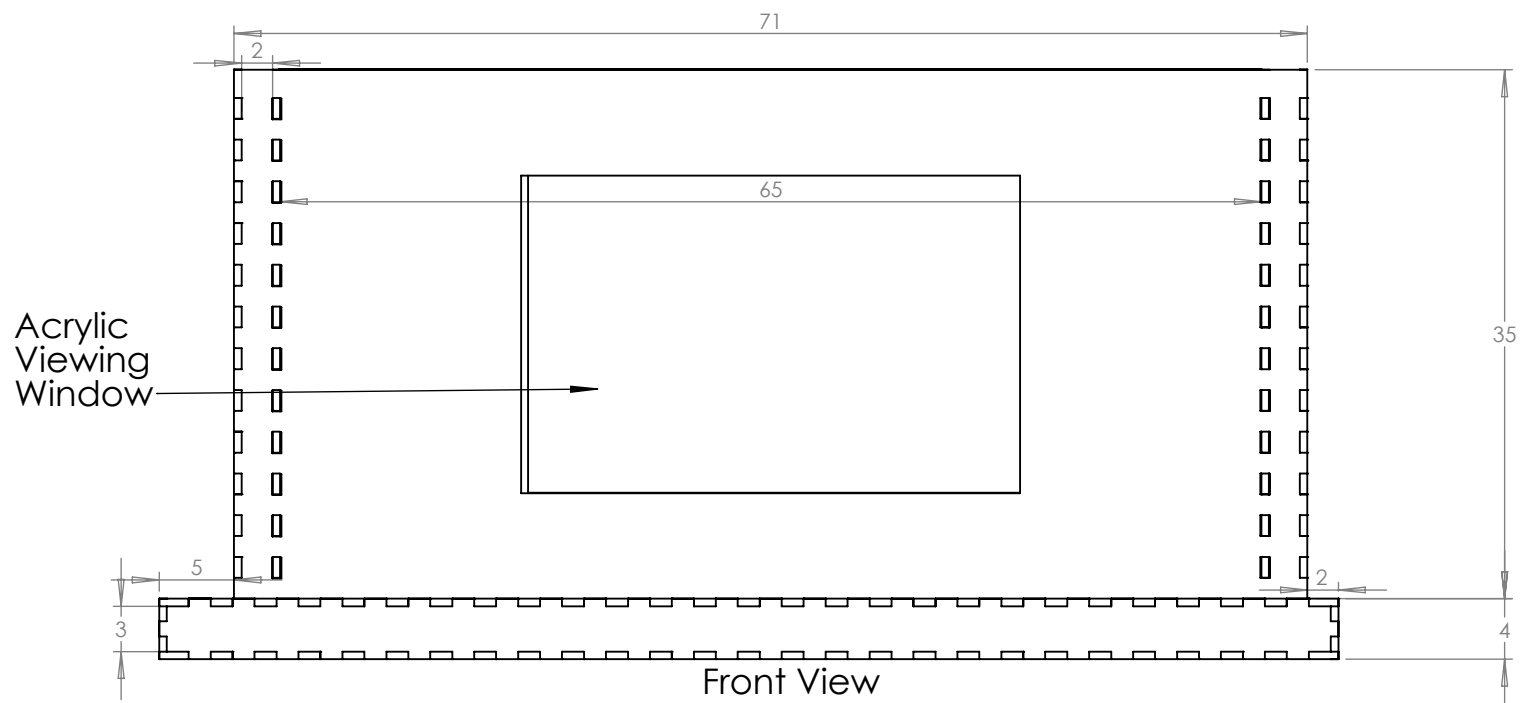
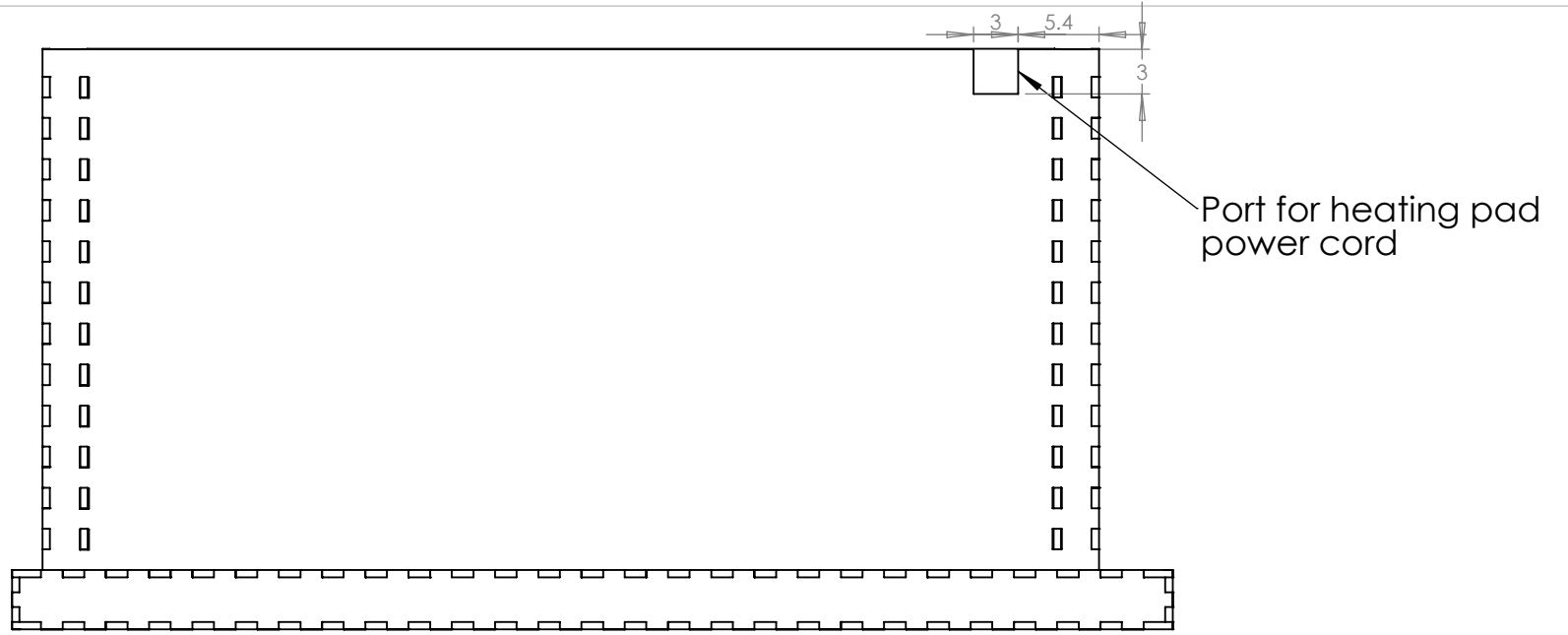
Date: 5/2/15

Drafter: Amanda Boone

Units: cm

Page 4 of 12





SolidWorks Student Edition.
For Academic Use Only
Housing- Front & Back Views

Description:
 Front & back views of housing with dimensions and materials.

Materials:
 1/4" Acrylic
 1/4" Birch Plywood

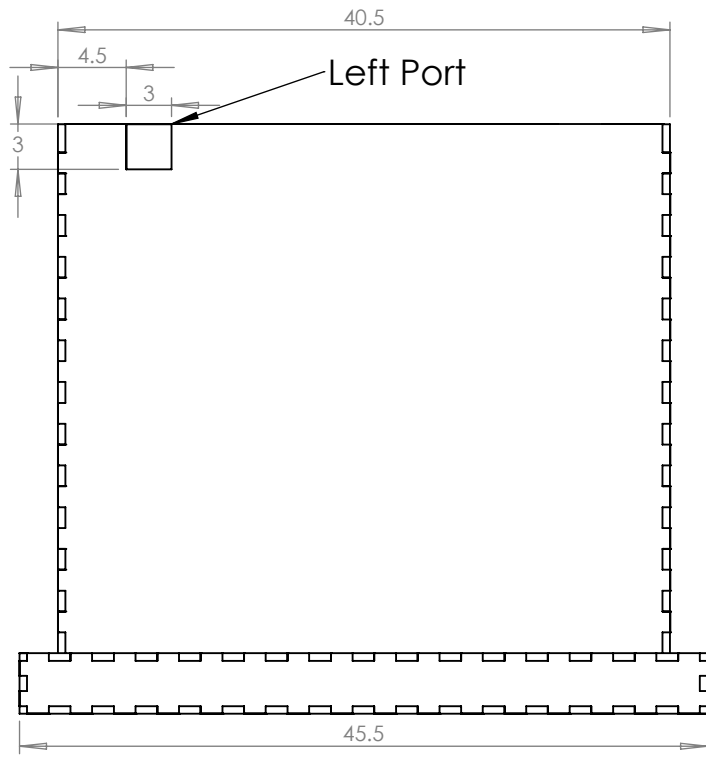
Cycle: 5

Date: 5/2/15

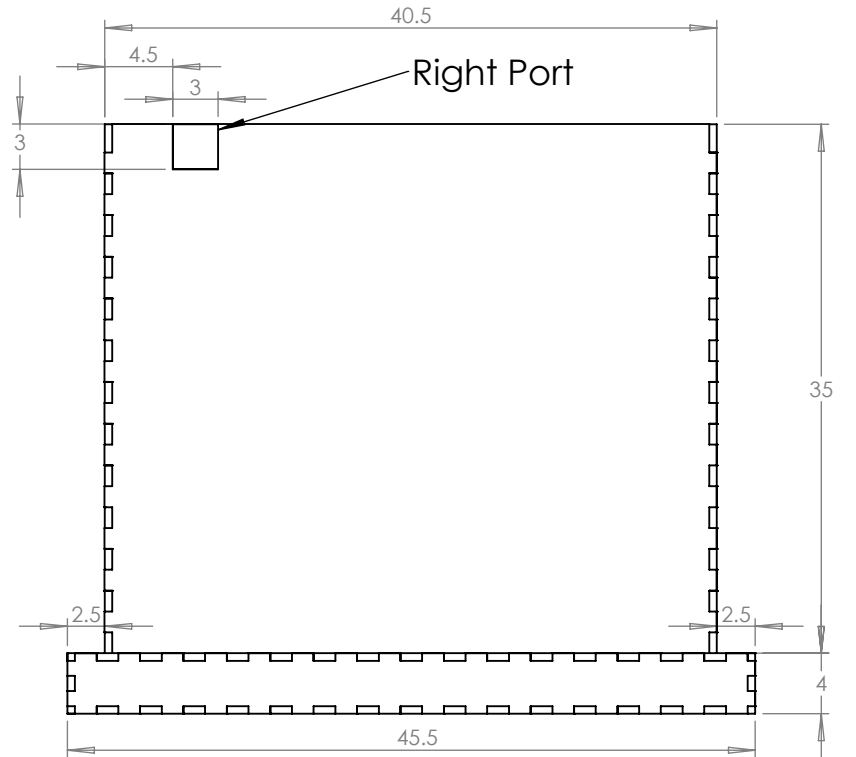
Drafter: Amanda Boone

Units: cm

Page 5 of 12



Left Side



Right Side



SolidWorks Student Edition.
For Academic Use Only.
Housing- Side Views

Cycle: 5

Date: 5/2/15

Description:

Side view of housing with dimensions.

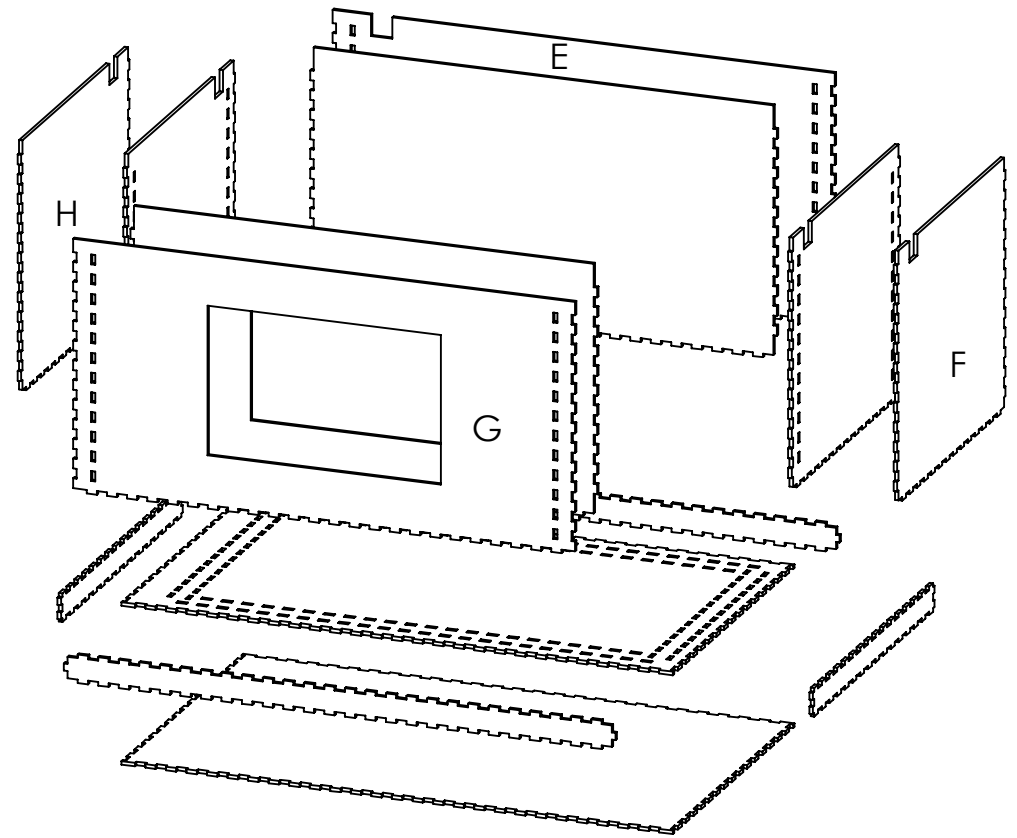
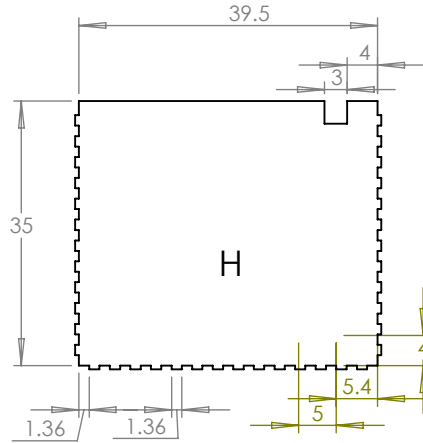
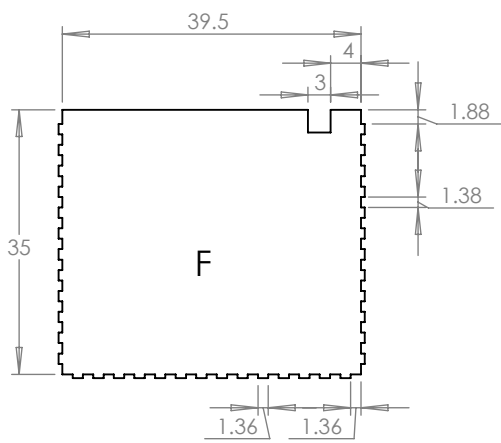
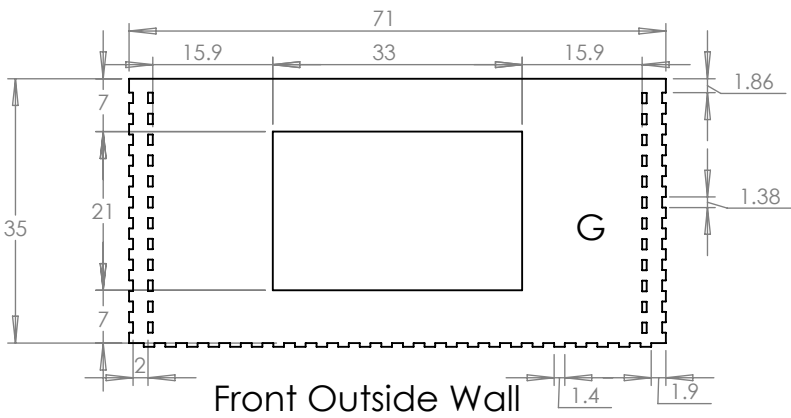
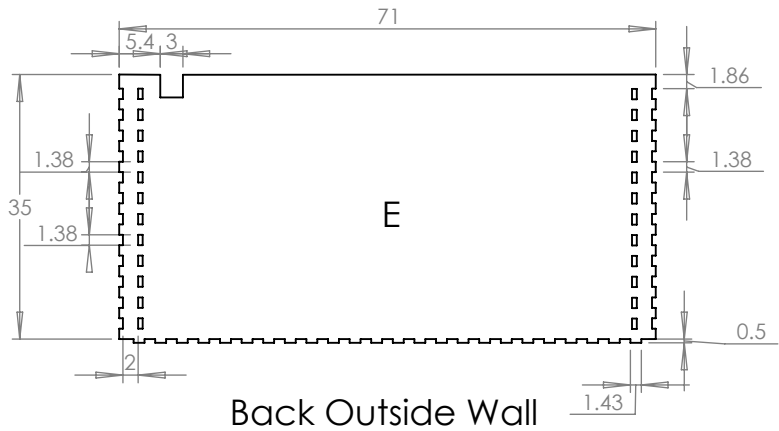
Drafter: Amanda Boone

Units: cm

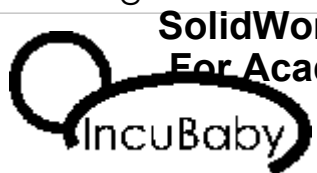
Materials:

- 1/4" Acrylic
- 1/4" Birch Plywood

Page 6 of 12



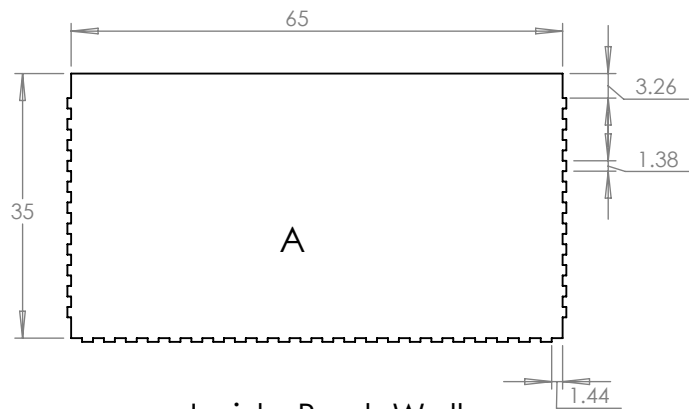
All walls are 1/4" Birch Plywood



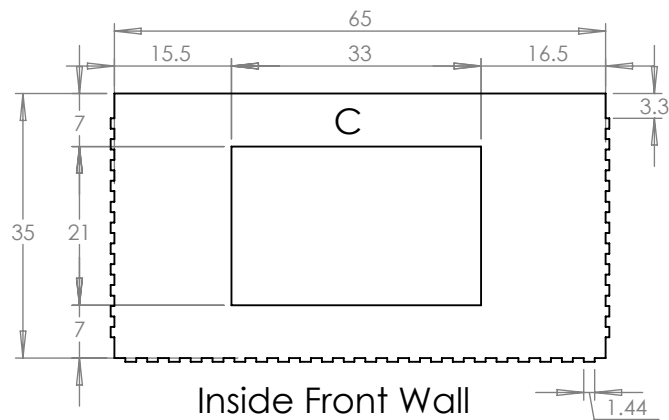
SolidWorks Student Edition.
For Academic Use Only
Housing - Outside Walls

Description:
 Dimensions of outside walls.

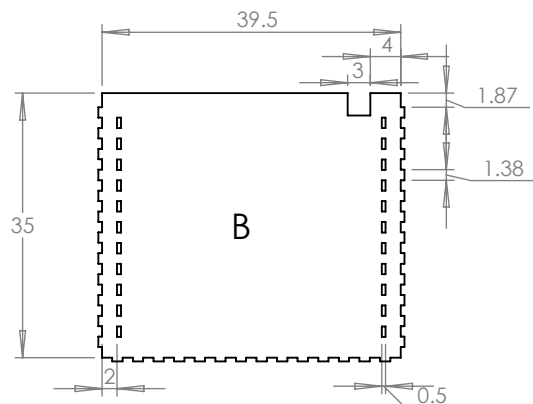
Materials:
 1/4" Acrylic
 1/4" Birch Plywood



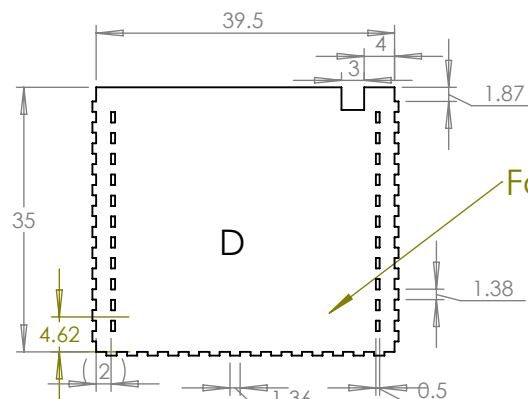
Inside Back Wall



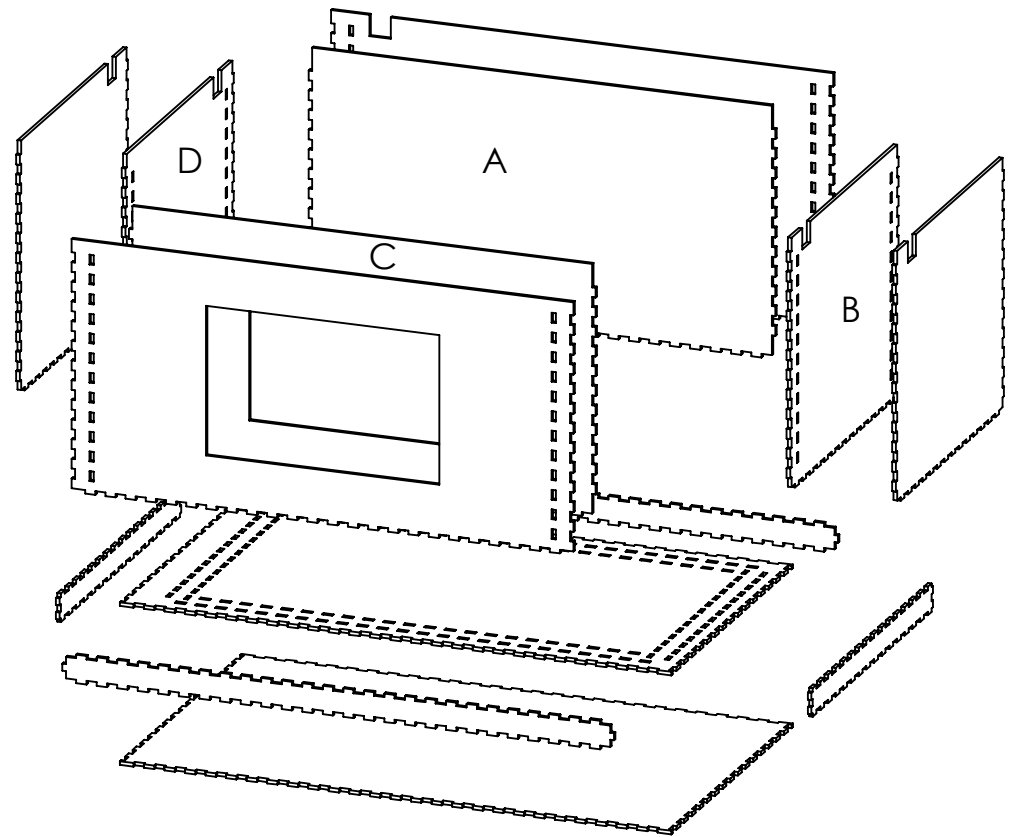
Inside Front Wall



Inside Right Wall

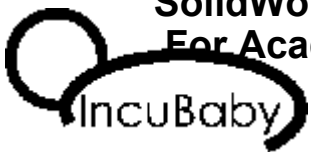


Inside Left Wall



All walls are 1/4" Birch Plywood

SolidWorks Student Edition.
For Academic Use Only.
The Housing - Inside Walls



Cycle: 5

Date: 5/2/15

Description:

Dimensions of inside walls.

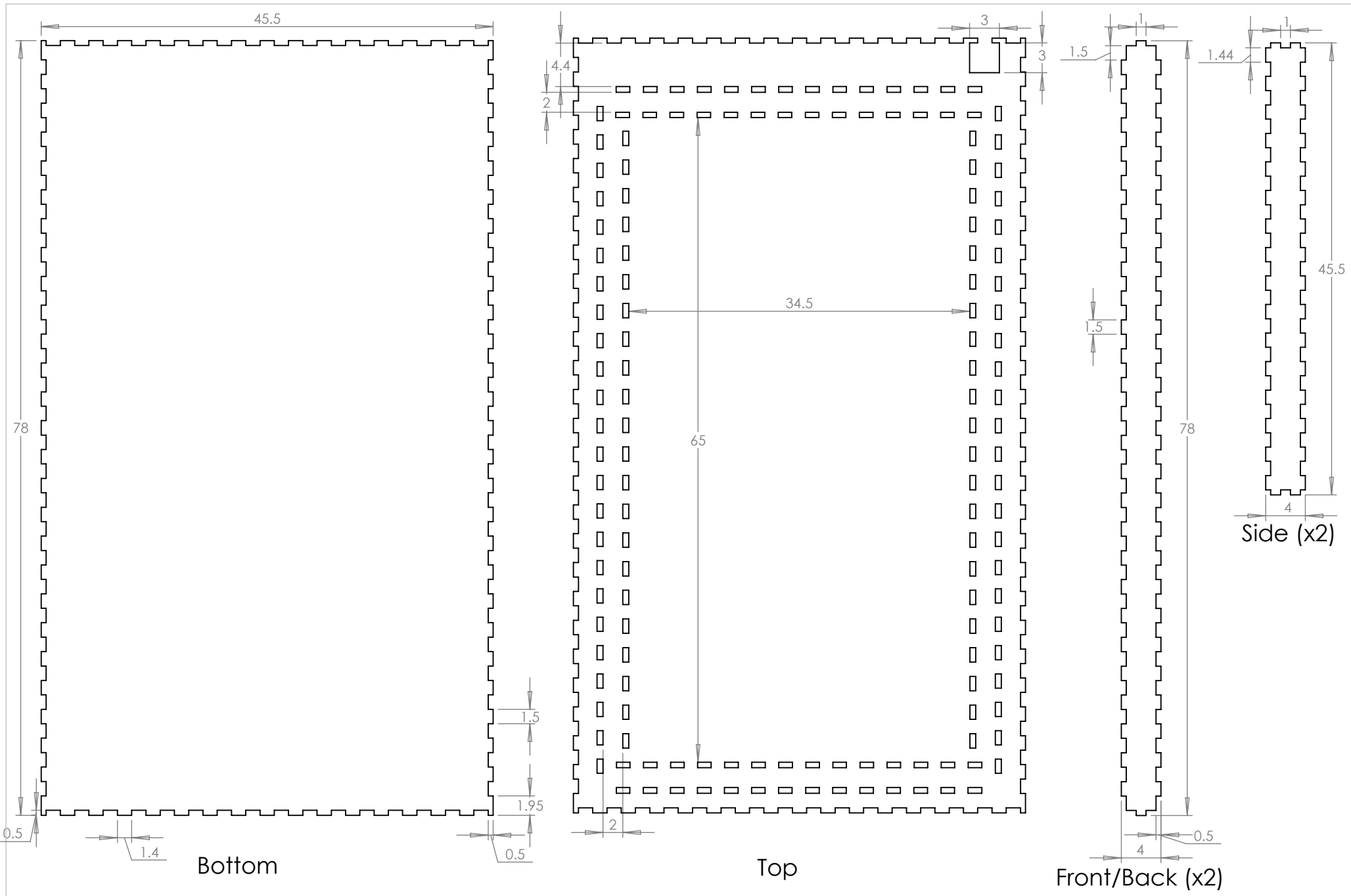
Drafter: Amanda Boone

Units: cm

Materials:

1/4" Acrylic
 1/4" Birch Plywood

Page 8 of 12

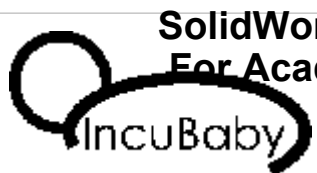


Bottom

Top

Front/Back (x2)

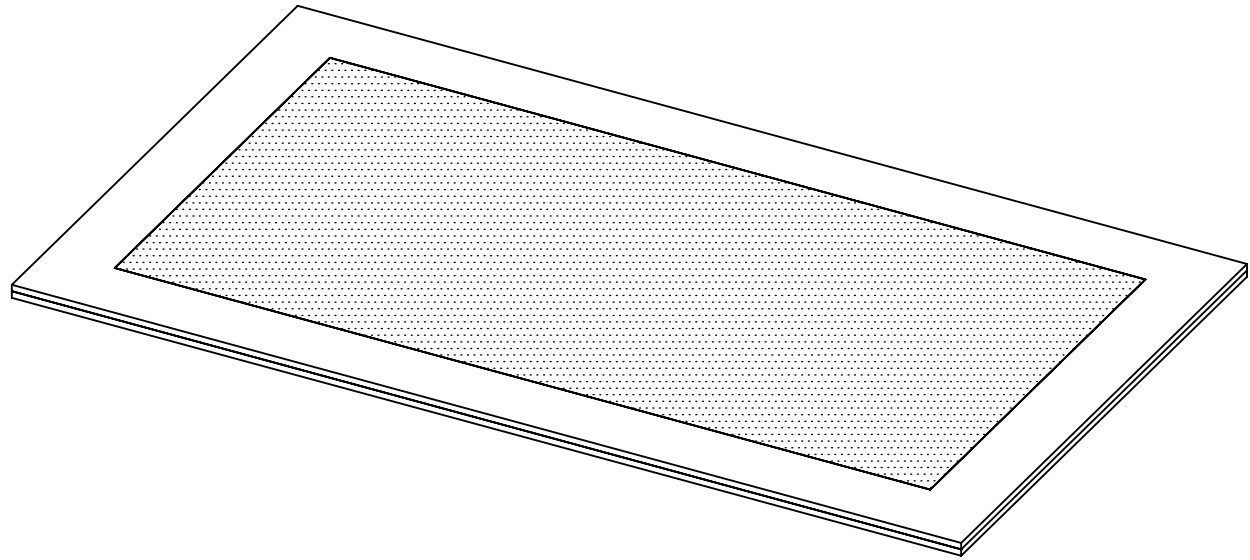
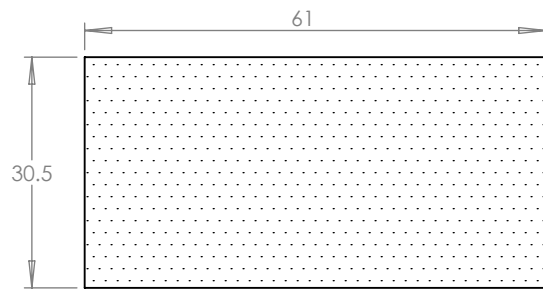
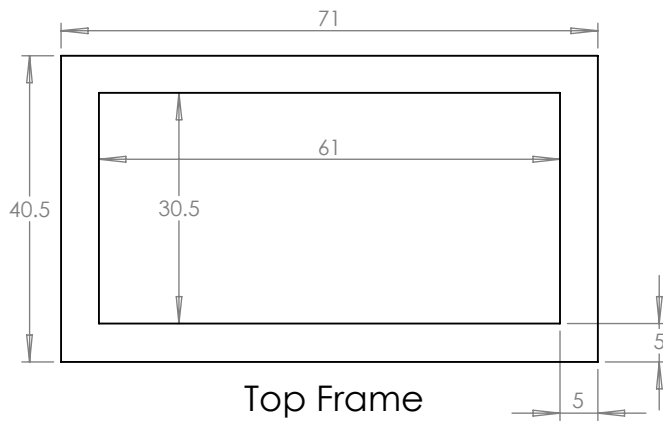
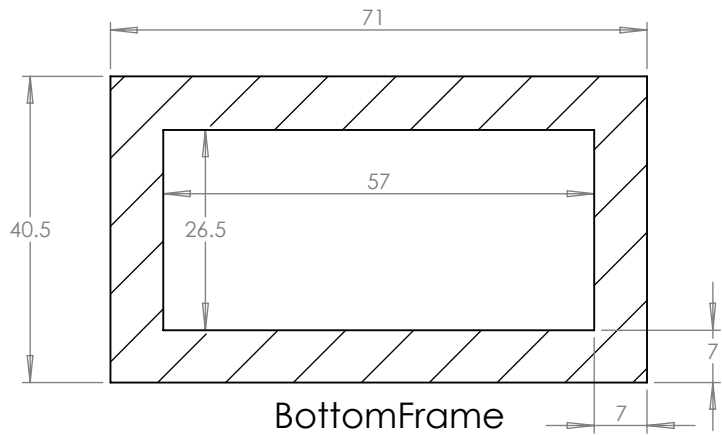
Side (x2)



SolidWorks Student Edition.
For Academic Use Only.
Housing- Bottom Box

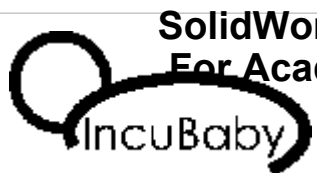
Description:
 Dimensions of bottom box.

Materials:
 1/4" Acrylic
 1/4" Birch Plywood



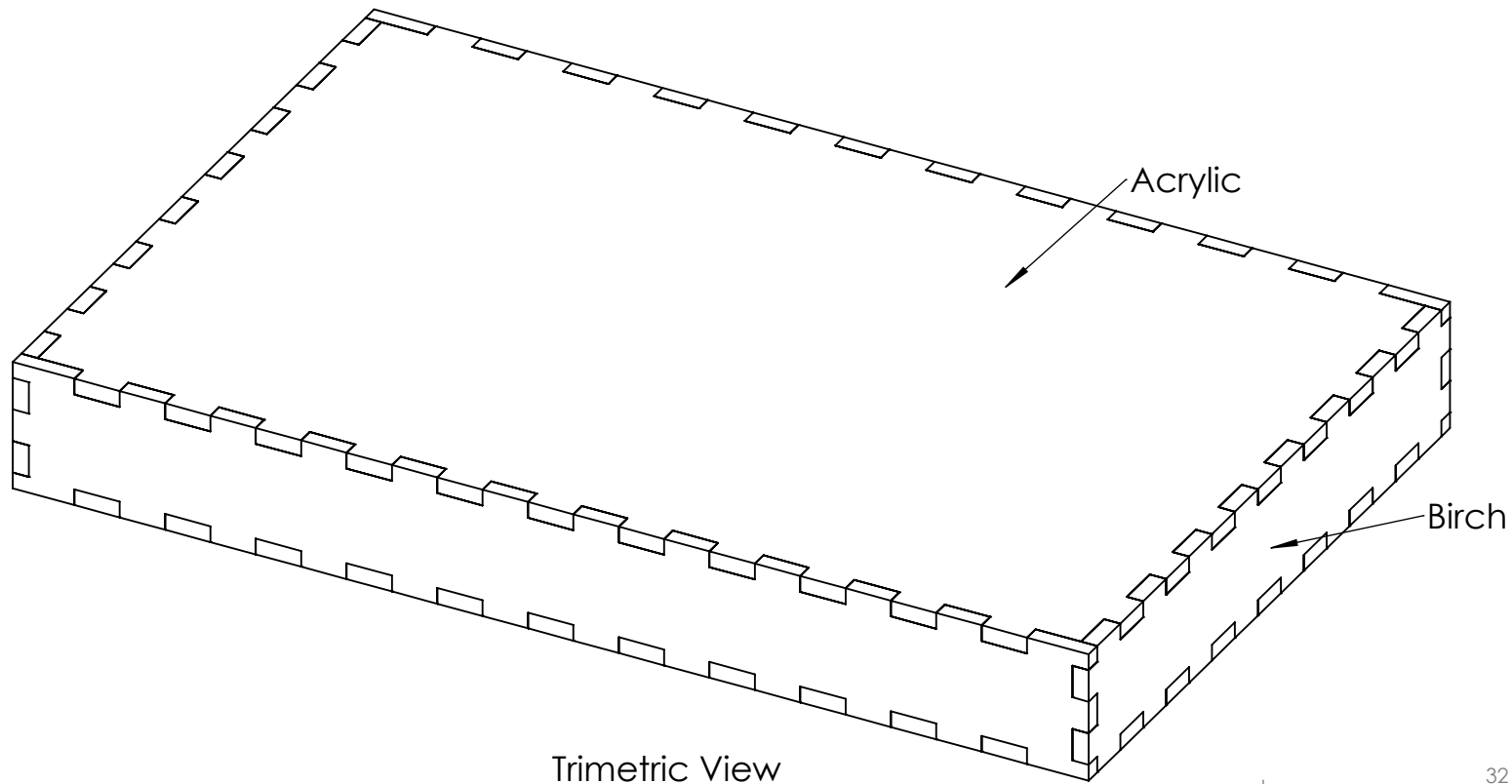
Isometric View

All pieces are 1/4" Birch Plywood except the Acrylic Window which is 1/4" Acrylic

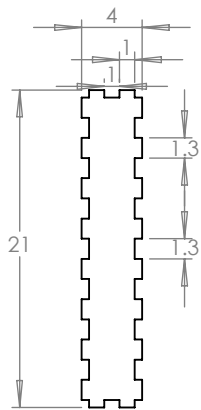


SolidWorks Student Edition.
For Academic Use Only.
The Housing- Lid

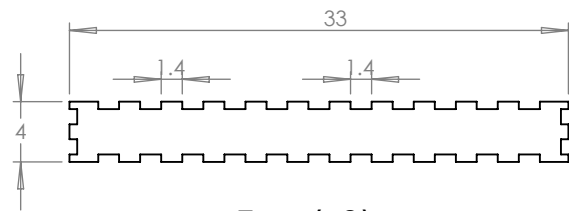
Description: Lid schematic and dimensions.		Materials: 1/4" Acrylic 1/4" Birch Plywood	
Cycle: 5	Date: 5/2/15	Drafter: Amanda Boone	Units: cm
		Page <u>10</u> of <u>12</u>	



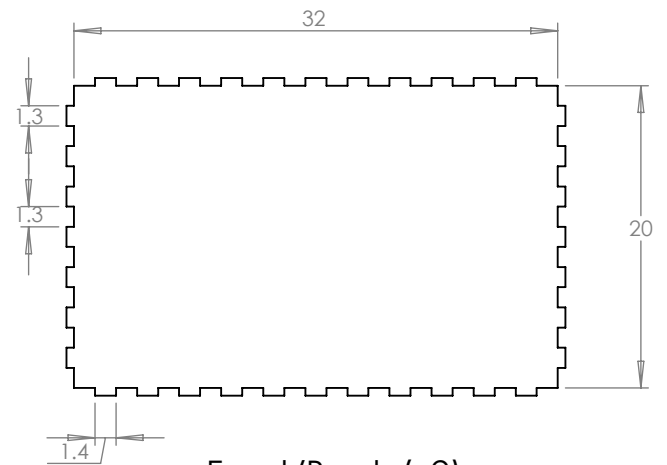
Trimetric View



Side (x2)



Top (x2)



Front/Back (x2)

SolidWorks Student Edition.
For Academic Use Only.
The Housing- Window

Description:

Dimensions of window box.

Materials:

1/4" Acrylic
 1/4" Birch Plywood

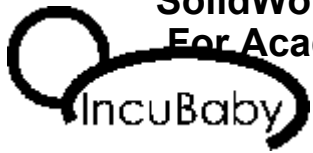
Cycle: 5

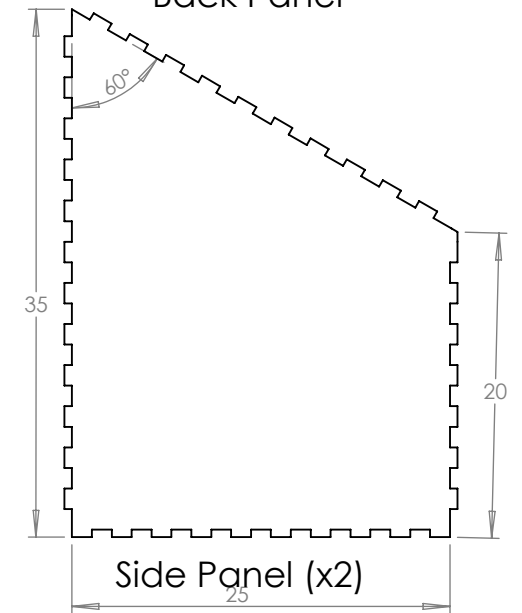
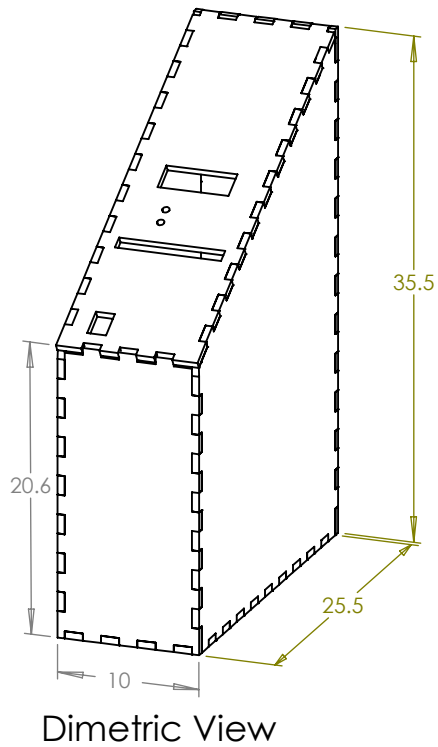
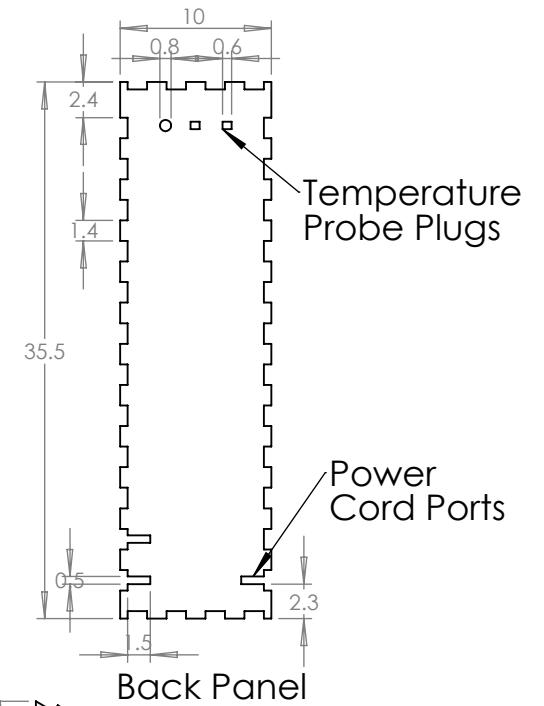
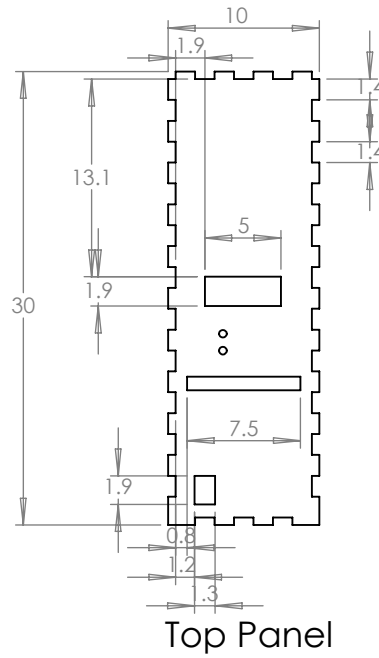
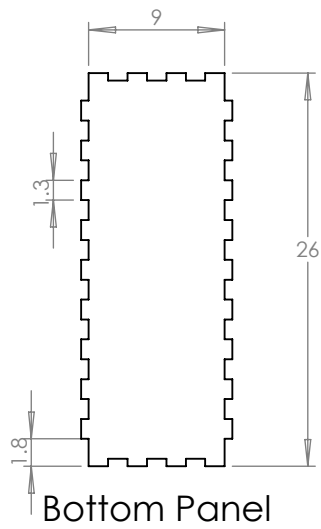
Date: 5/2/15

Drafter: Amanda Boone

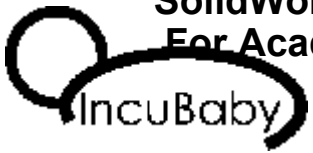
Units: cm

Page 11 of 12





SolidWorks Student Edition.
For Academic Use Only
Electronics Housing



Cycle: 5

Date: 5/2/15

Description:

Dimensions of the electronics box.

Drafter: Amanda Boone

Units: cm

Materials:

1/4" Acrylic
 1/4" Birch Plywood

Page 12 of 12